

JAY•LOR[®]

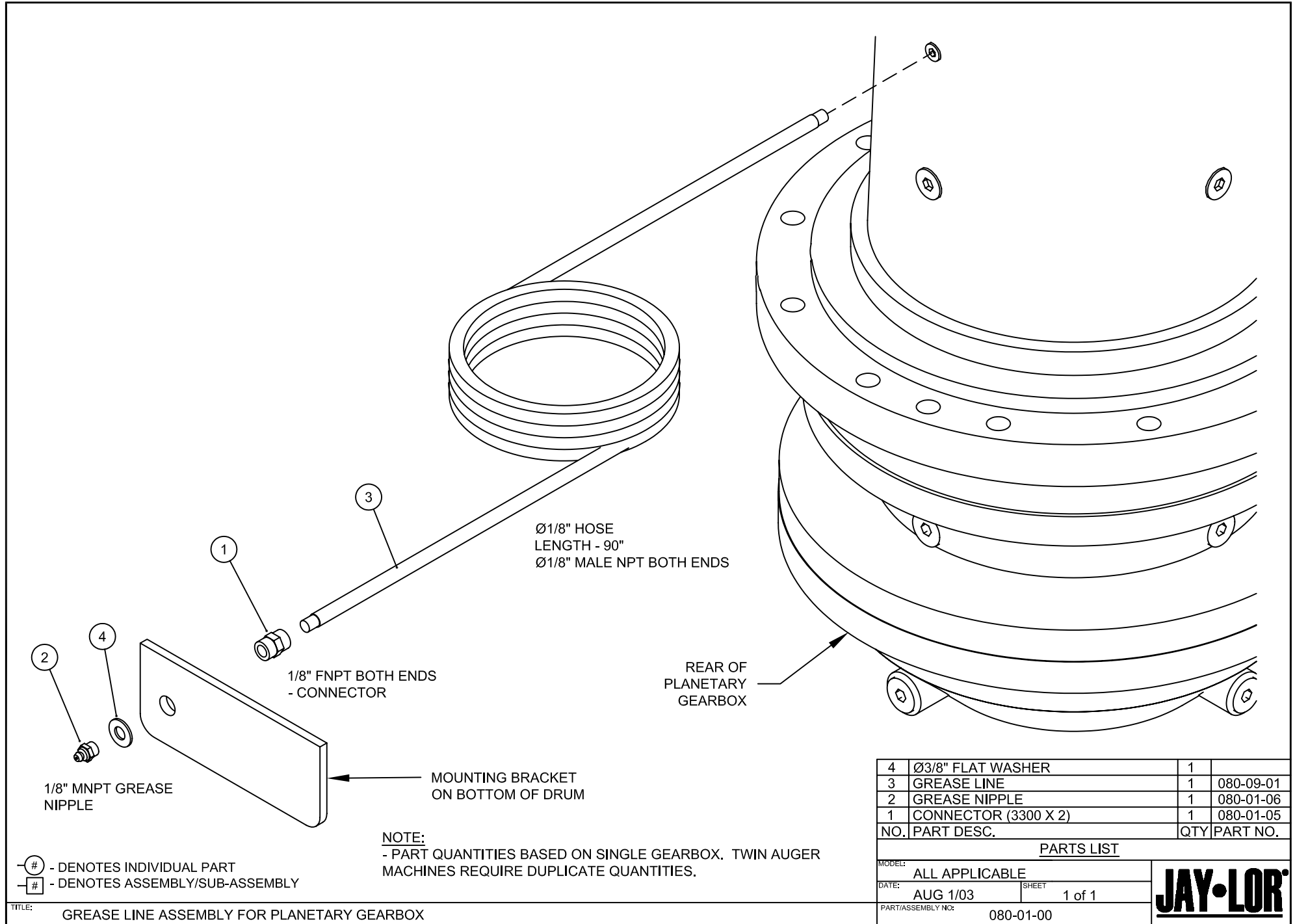
Cutter • Mixer • Feeder

08 – LUBE SYSTEM

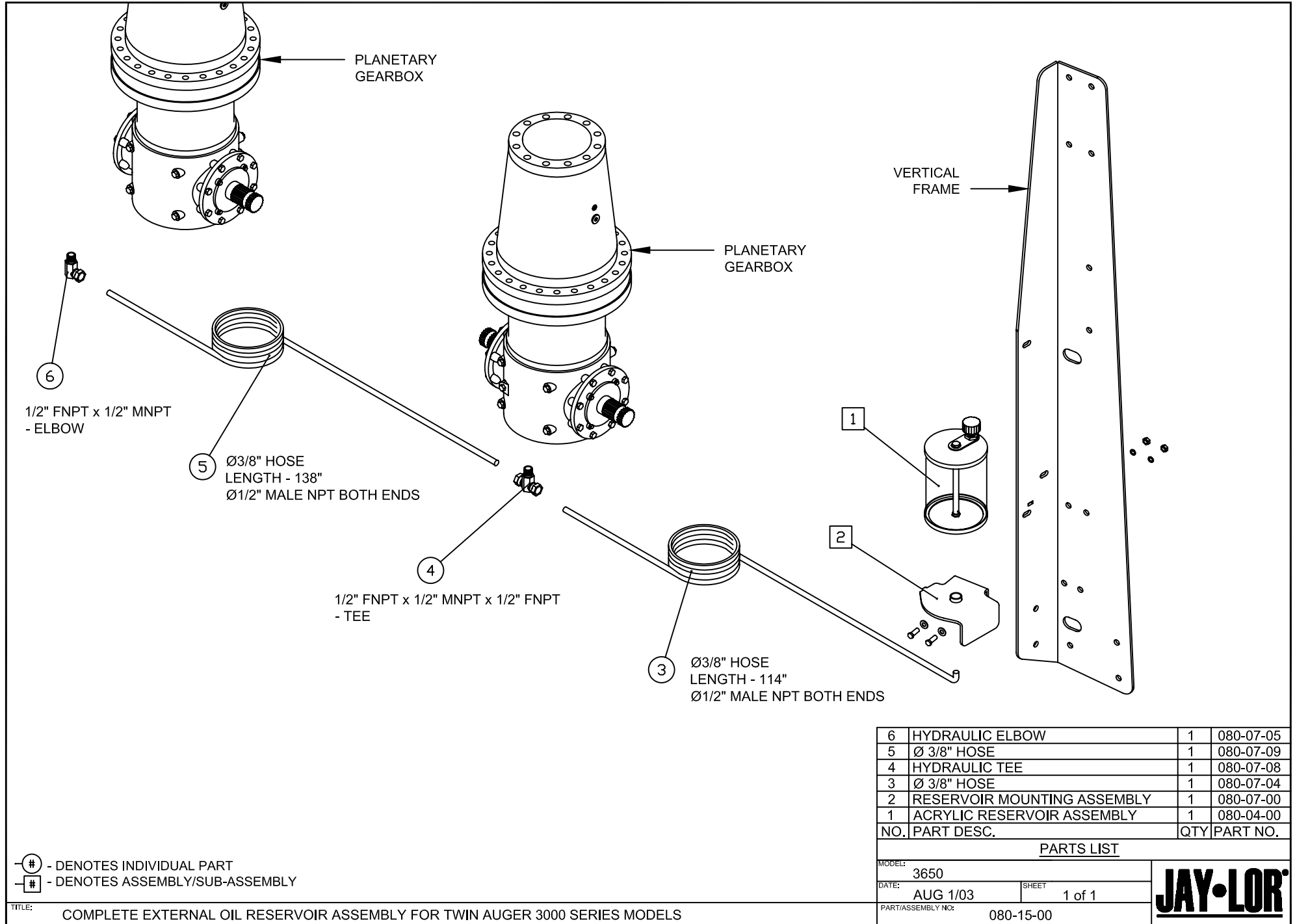
“Putting the ‘Total’ into TMR”

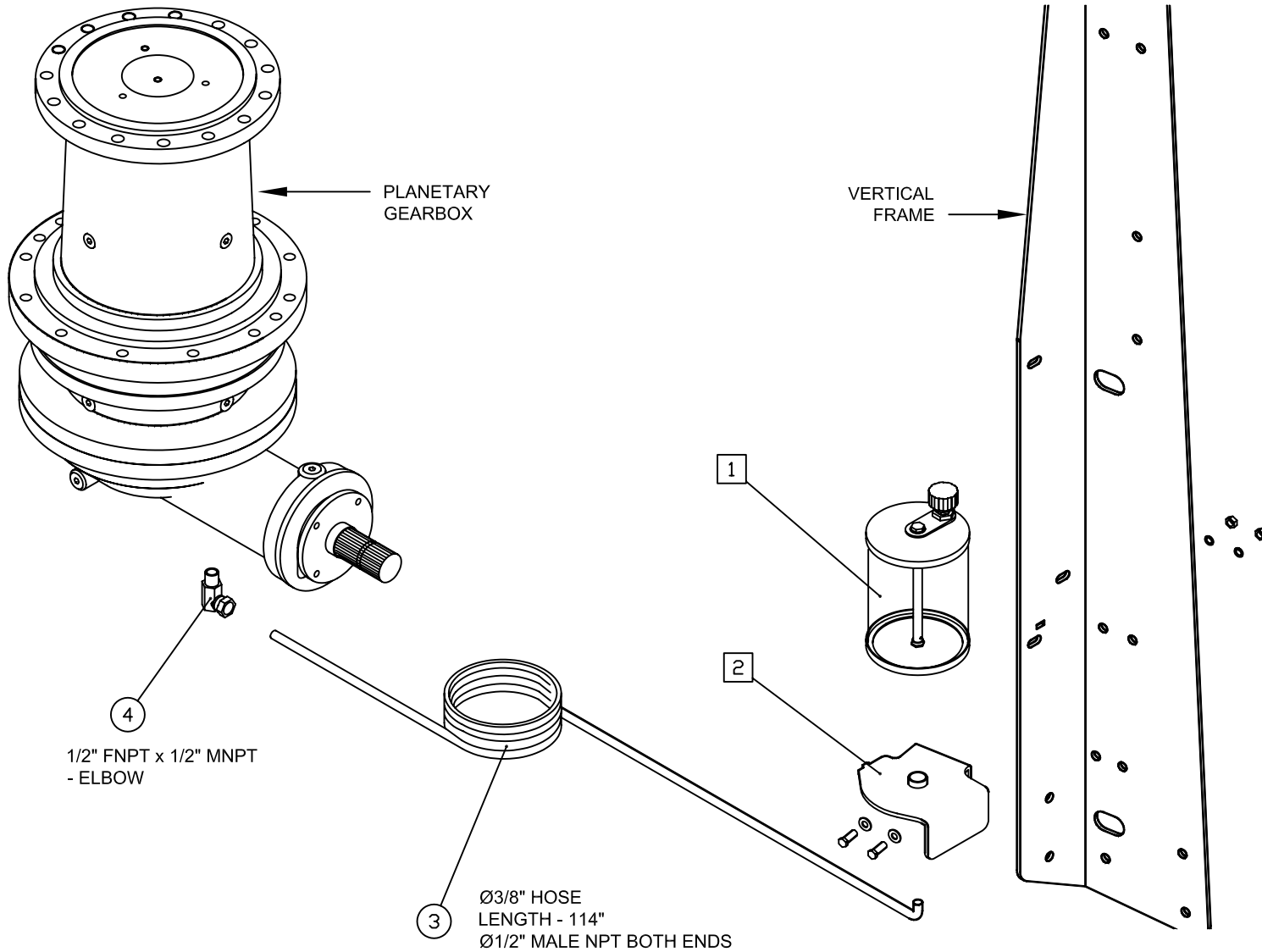
JAY-LOR[®] Fabricating Inc.
RR # 2 Orton, Ontario, Canada, L0N 1N0 Tel: (519) 787-8058 Fax: (519) 787-7053

To Print this Section, Click Here



TITLE: GREASE LINE ASSEMBLY FOR PLANETARY GEARBOX





4	HYDRAULIC ELBOW	1	080-07-05
3	HOSE	1	080-07-04
2	RESERVOIR MOUNTING ASSEMBLY	1	080-07-00
1	ACRYLIC RESERVOIR ASSEMBLY	1	080-04-00
NO.	PART DESC.	QTY	PART NO.

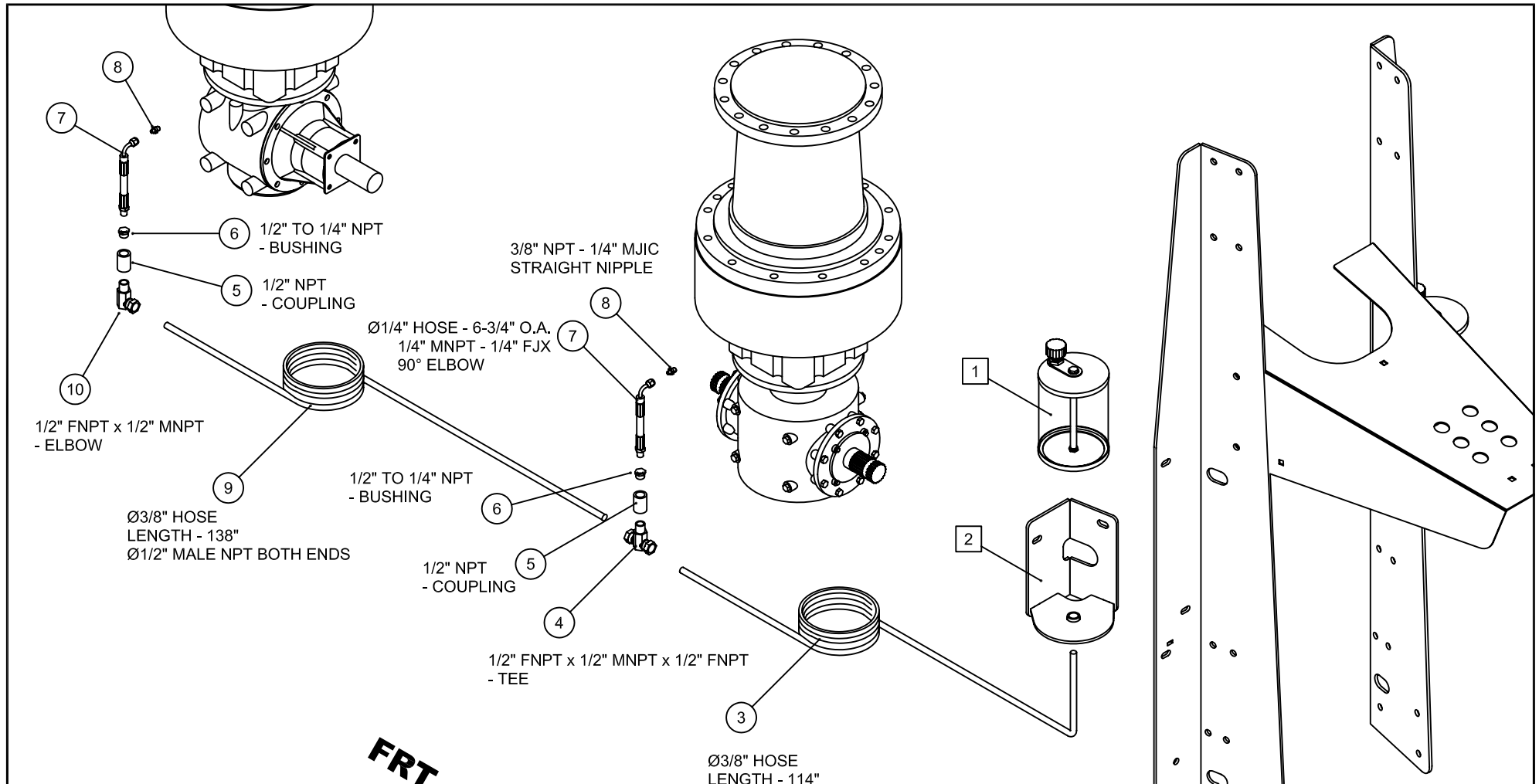
PARTS LIST

MODEL:		ALL APPLICABLE	
DATE:	AUG 1/03	SHEET	1 of 1
PART/ASSEMBLY NO:		080-15-01	



⊖# - DENOTES INDIVIDUAL PART
 ⊖# - DENOTES ASSEMBLY/SUB-ASSEMBLY

TITLE: COMPLETE EXTERNAL OIL RESERVOIR ASSEMBLY FOR SINGLE AUGER 3000 SERIES MODELS



FRT →

10	HYDRAULIC ELBOW	1	080-07-05
9	Ø3/8" HOSE	1	080-07-09
8	STRAIGHT NIPPLE	2	080-00-52
7	INTERNAL RESERVOIR HOSE	2	080-00-53
6	BUSHING	2	080-00-49
5	Ø1/2" COUPLING	2	080-07-01
4	HYDRAULIC TEE	1	080-07-08
3	Ø3/8" HOSE	1	080-07-04
2	RESERVOIR MOUNTING ASSEMBLY	1	080-50-03
1	ACRYLIC RESERVOIR ASSEMBLY	1	080-04-00
NO.	PART DESC.	QTY	PART NO.

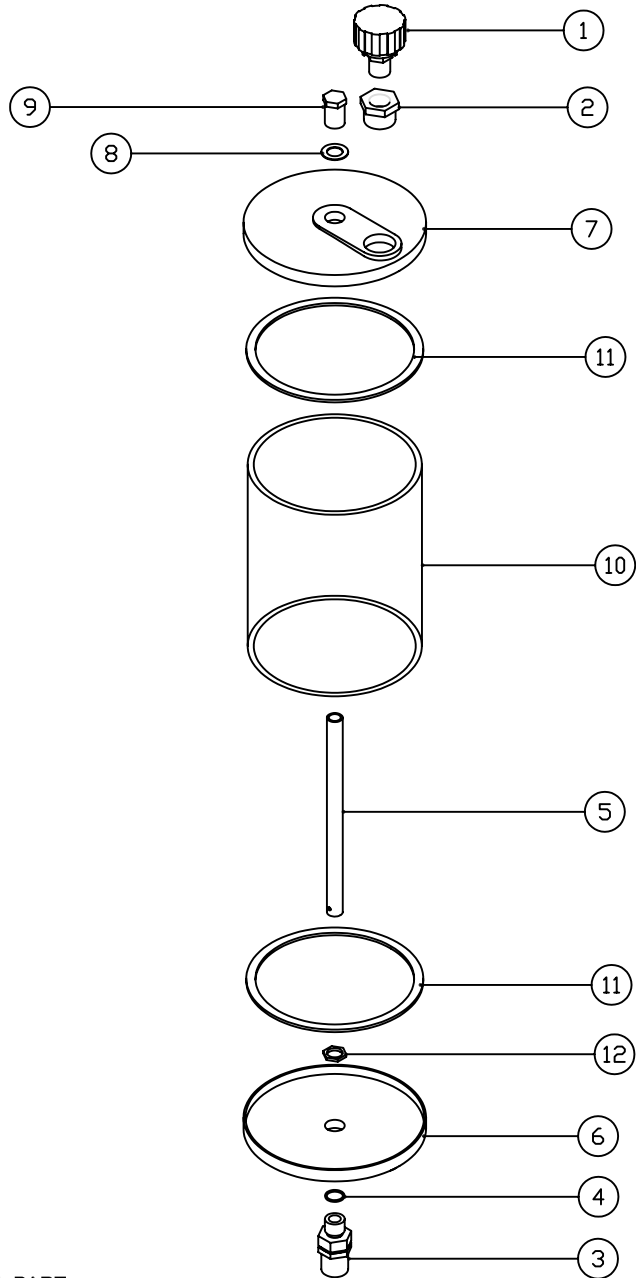
PARTS LIST

MODEL:	3750	
DATE:	AUG 1/03	SHEET 1 of 1
PART/ASSEMBLY NO.:	080-15-02	



⊖# - DENOTES INDIVIDUAL PART
 ⊖# - DENOTES ASSEMBLY/SUB-ASSEMBLY

TITLE: COMPLETE EXTERNAL OIL RESERVOIR ASSEMBLY FOR TWIN AUGER 3000 SERIES MODELS W/ PG1802 GEARBOX



- DENOTES INDIVIDUAL PART
- DENOTES ASSEMBLY/SUB-ASSEMBLY

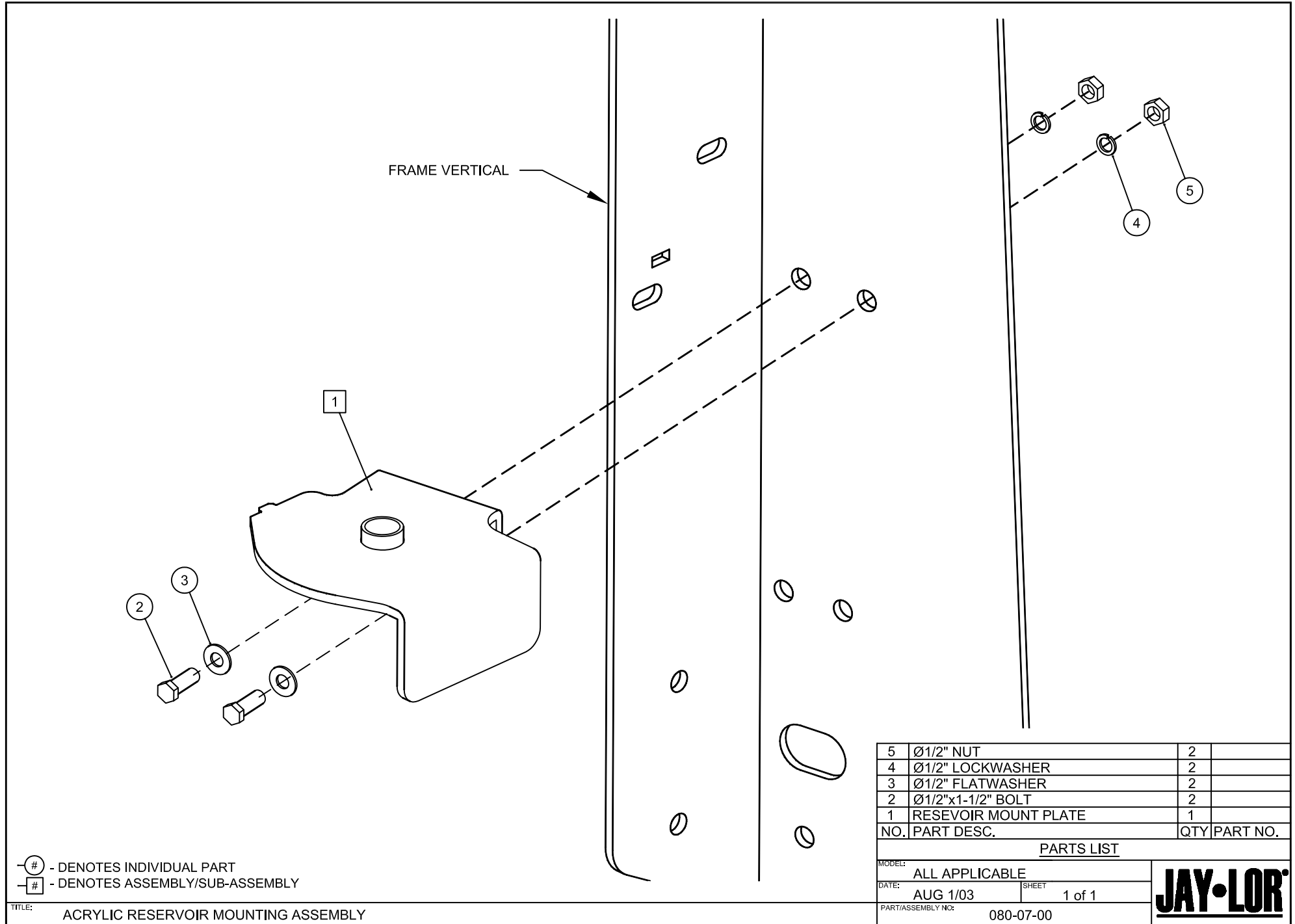
TITLE: 1/2 GALLON ACRYLIC RESERVOIR ASSEMBLY

12	RESERVOIR NUT	1	080-04-13
11	RUBBER GASKET	2	080-04-12
10	ACRYLIC RESERVOIR BODY	1	080-04-11
9	RESERVOIR CLOSURE	1	080-04-10
8	WASHER	1	080-04-09
7	RESERVOIR TOP PLATE	1	080-04-08
6	RESERVOIR BOTTOM PLATE	1	080-04-07
5	CONNECTING PIPE	1	080-04-06
4	O-RING FOR ALUMINUM SHANK	1	080-04-05
3	ALUMINUM SHANK	1	080-04-04
2	PLASTIC BUSHING	1	080-04-03
1	BREATHER CAP	1	080-04-02
NO.	PART DESC.	QTY	PART NO.

PARTS LIST

MODEL: ALL APPLICABLE	
DATE: AUG 1/03	SHEET 1 of 1
PART/ASSEMBLY NO: 080-04-00	

JAY-LOR



5	Ø1/2" NUT	2	
4	Ø1/2" LOCKWASHER	2	
3	Ø1/2" FLATWASHER	2	
2	Ø1/2"x1-1/2" BOLT	2	
1	RESEVOIR MOUNT PLATE	1	
NO.	PART DESC.	QTY	PART NO.

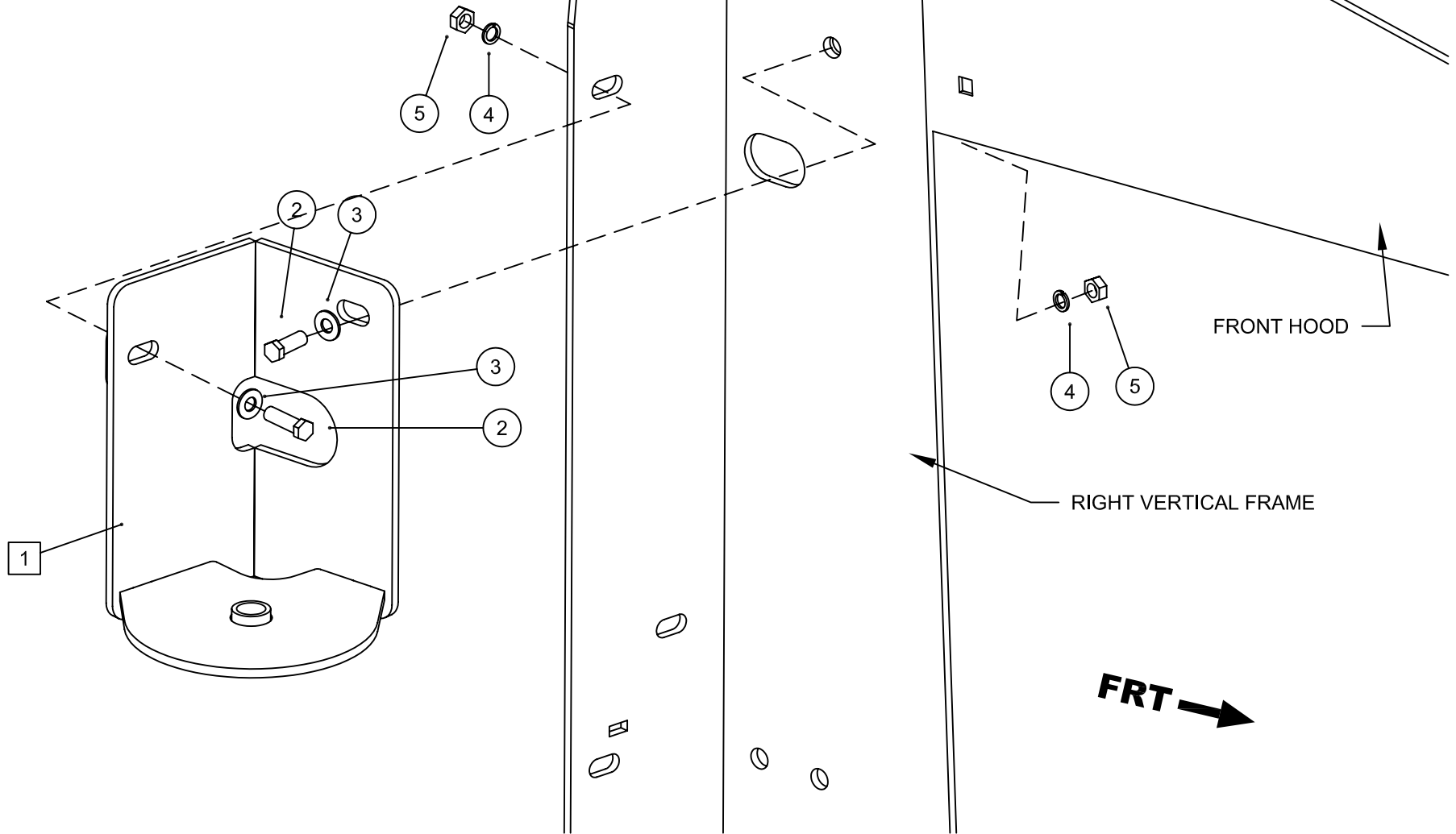
PARTS LIST

MODEL:	ALL APPLICABLE	
DATE:	AUG 1/03	SHEET 1 of 1
PART/ASSEMBLY NO.:	080-07-00	



- (#) - DENOTES INDIVIDUAL PART
 - (#) - DENOTES ASSEMBLY/SUB-ASSEMBLY

TITLE: ACRYLIC RESERVOIR MOUNTING ASSEMBLY



⊖# - DENOTES INDIVIDUAL PART
 ⊖# - DENOTES ASSEMBLY/SUB-ASSEMBLY

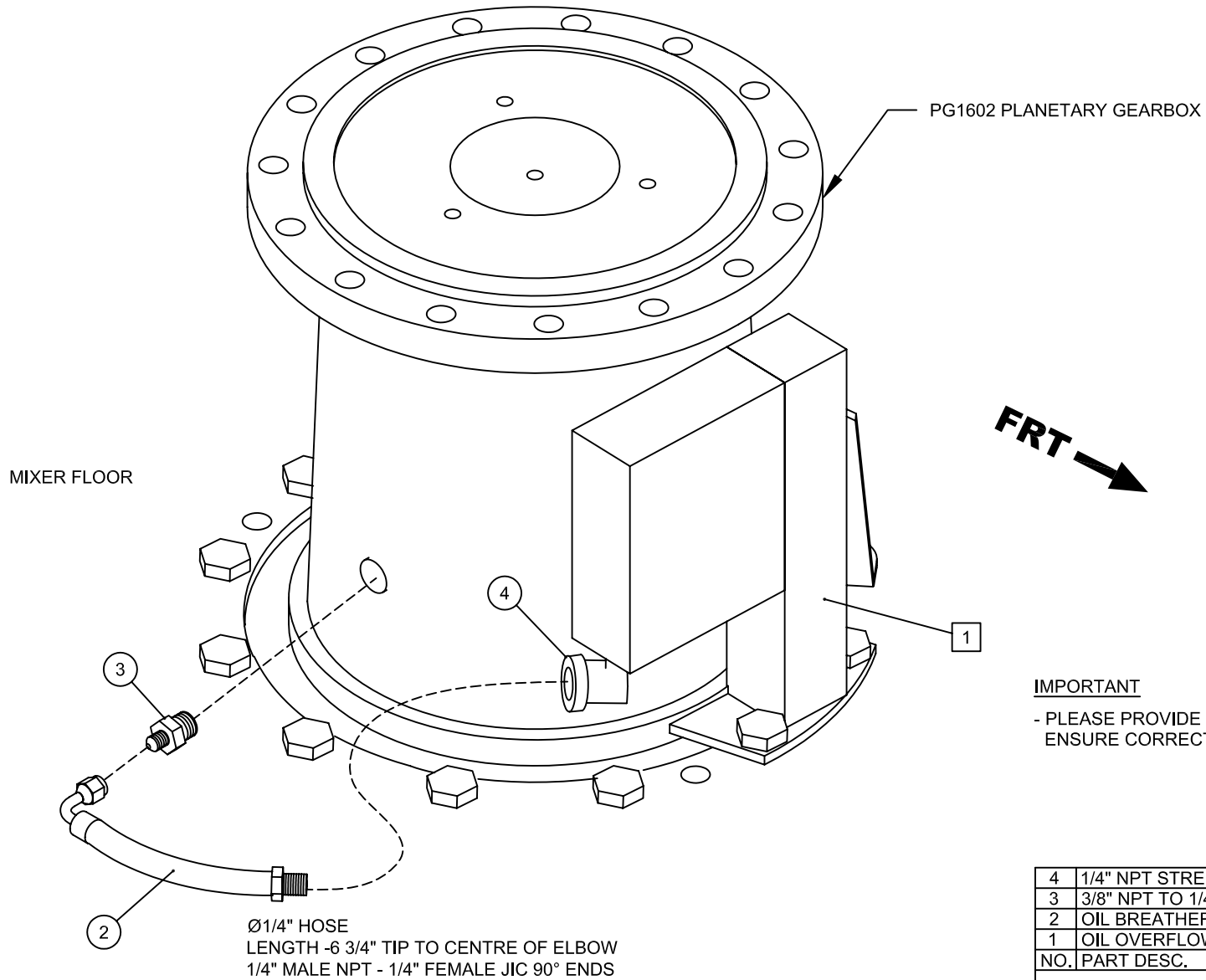
TITLE: 3750 RESEVOIR MOUNT ASSEMBLY (FOR PG1802 GEARBOXES)

5	Ø1/2" NUT	2	
4	Ø1/2" LOCKWASHER	2	
3	Ø1/2" FLATWASHER	2	
2	Ø1/2"x1-1/4" BOLT	2	
1	RESEVOIR MOUNT	1	
NO.	PART DESC.	QTY	PART NO.

PARTS LIST

MODEL:	3750	
DATE:	NOV 1, 2003	SHEET 1 of 1
PART/ASSEMBLY NO.:	080-50-03	

JAY-LOR



IMPORTANT

- PLEASE PROVIDE MACHINE SERIAL NUMBER TO ENSURE CORRECT PLACEMENT PARTS.

4	1/4" NPT STREET ELBOW 90°	1	080-00-51
3	3/8" NPT TO 1/4" JIC NIPPLE	1	080-00-52
2	OIL BREATHER LINE ASSEMBLY	1	080-00-53
1	OIL OVERFLOW RESERVOIR	1	080-21-02
NO.	PART DESC.	QTY	PART NO.

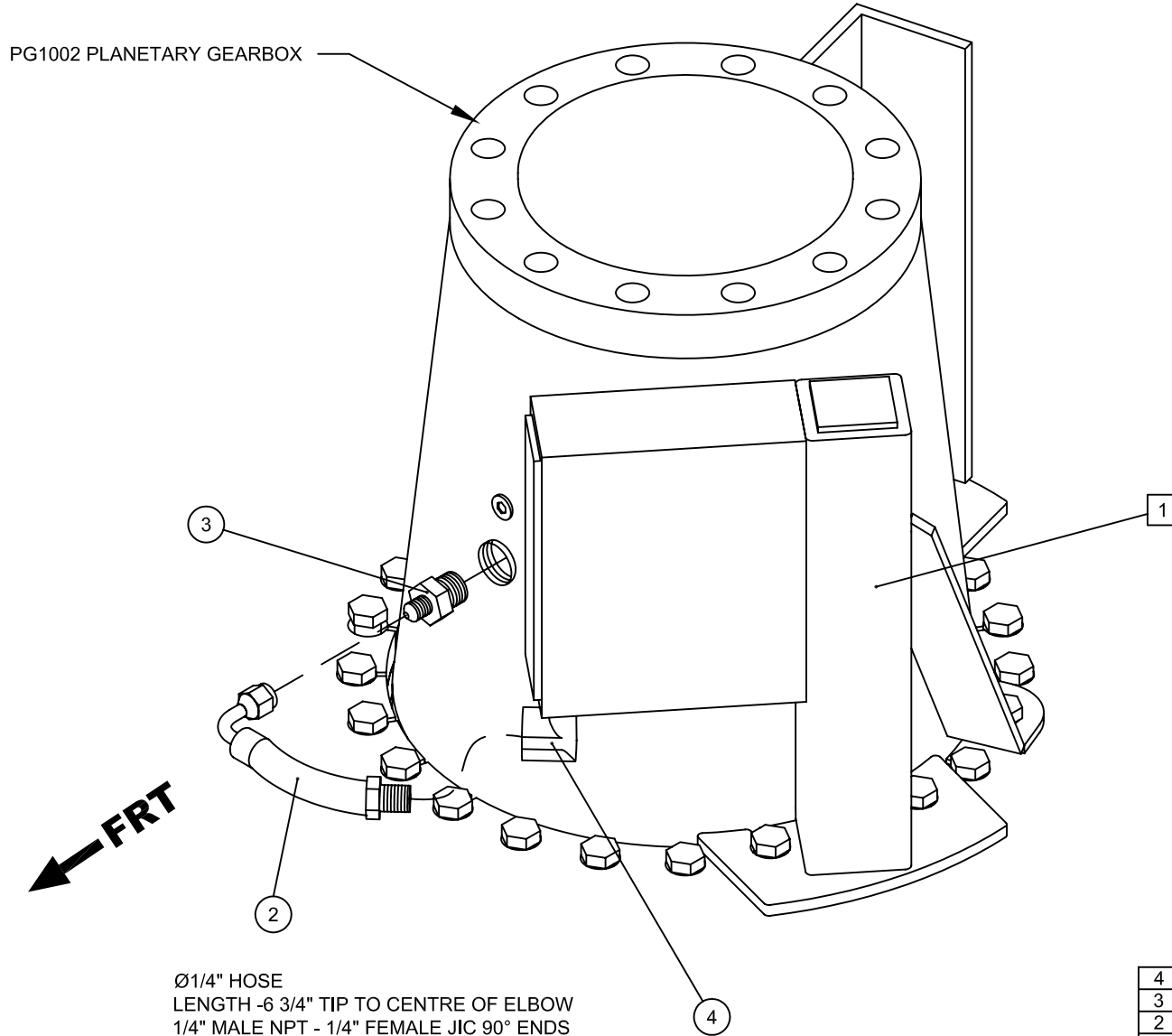
PARTS LIST

MODEL:	3425, 3575	
DATE:	AUG 1/03	SHEET 1 of 1
PART/ASSEMBLY NO.:	080-21-01	

JAY-LOR

- ⊖ # - DENOTES INDIVIDUAL PART
- ⊖ # - DENOTES ASSEMBLY/SUB-ASSEMBLY

TITLE: INTERNAL OIL OVERFLOW RESERVOIR ASSEMBLY (USED ON MACHINES WITH PG1602 GEARBOXES)



Ø1/4" HOSE
 LENGTH -6 3/4" TIP TO CENTRE OF ELBOW
 1/4" MALE NPT - 1/4" FEMALE JIC 90° ENDS

IMPORTANT

- PLEASE PROVIDE MACHINE SERIAL NUMBER TO ENSURE CORRECT PLACEMENT PARTS.

NO.	PART DESC.	QTY	PART NO.
4	1/4" NPT STREET ELBOW 90°	1	080-00-51
3	3/8" NPT TO 1/4" JIC NIPPLE	1	080-00-52
2	OIL BREATHER LINE ASSEMBLY	1	080-00-53
1	OIL OVERFLOW RESERVOIR	1	080-21-04

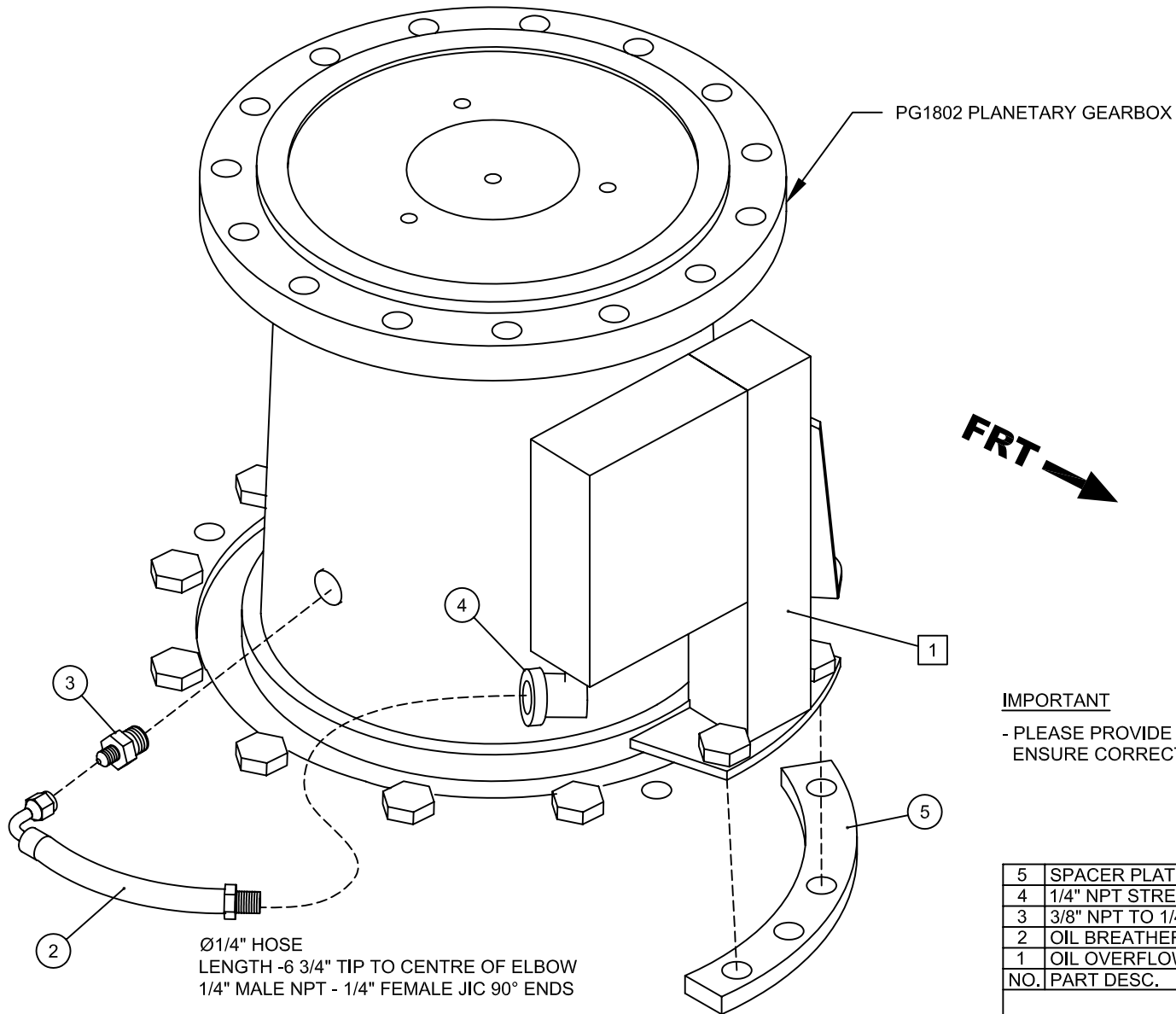
PARTS LIST

MODEL: 3300 / 3350 / 3650	
DATE: AUG 1/03	SHEET 1 of 1
PART/ASSEMBLY NO: 080-21-03	



- ⊖# - DENOTES INDIVIDUAL PART
- ⊖# - DENOTES ASSEMBLY/SUB-ASSEMBLY

TITLE: INTERNAL OIL OVERFLOW RESERVOIR ASSEMBLY (USED ON MACHINES WITH PG1002 GEARBOXES)



FRT →

IMPORTANT

- PLEASE PROVIDE MACHINE SERIAL NUMBER TO ENSURE CORRECT PLACEMENT PARTS.

NO.	PART DESC.	QTY	PART NO.
5	SPACER PLATE	1	080-00-20
4	1/4" NPT STREET ELBOW 90°	1	080-00-51
3	3/8" NPT TO 1/4" JIC NIPPLE	1	080-00-52
2	OIL BREATHER LINE ASSEMBLY	1	080-00-53
1	OIL OVERFLOW RESERVOIR	1	080-21-02
NO. PART DESC.		QTY	PART NO.

PARTS LIST

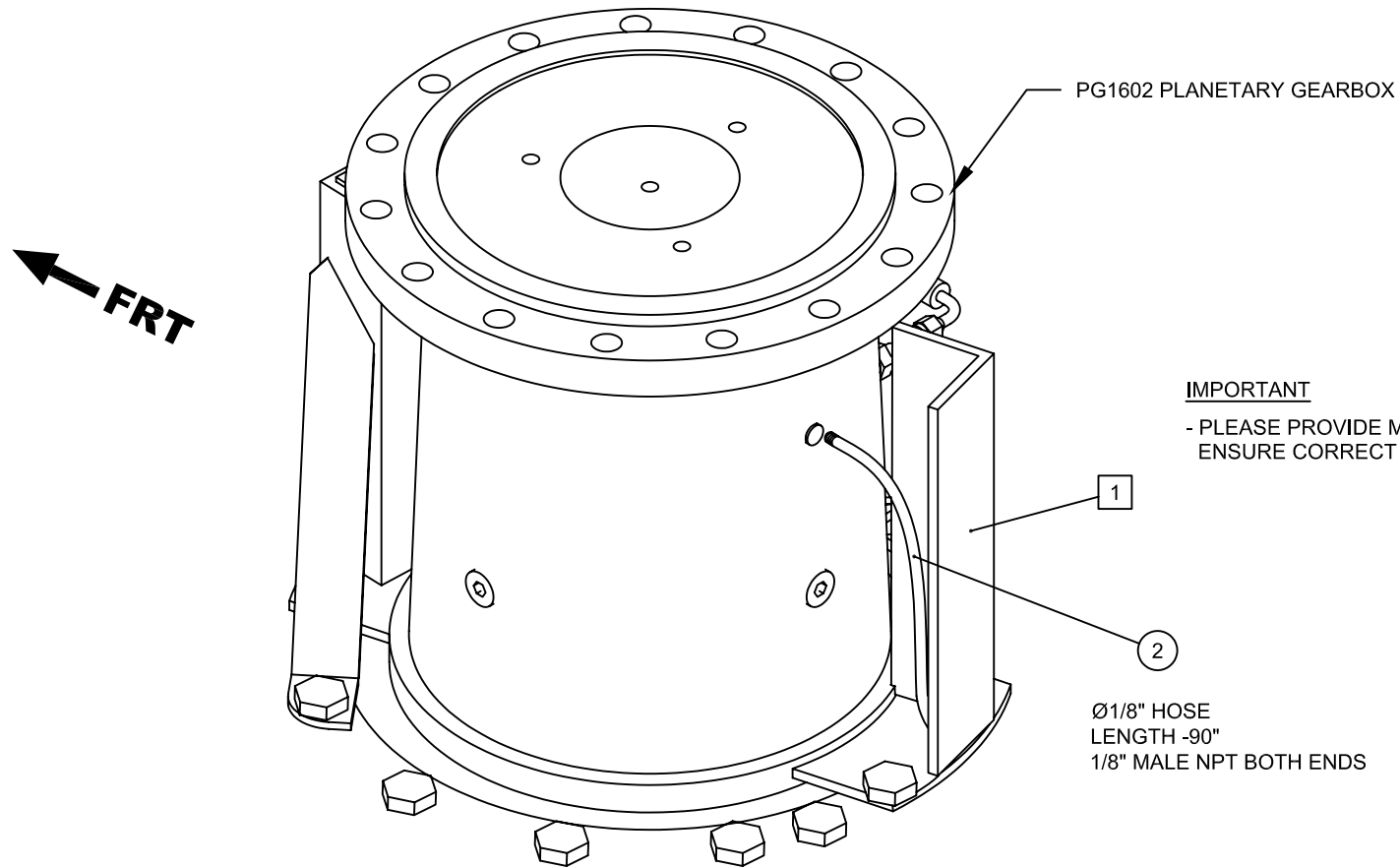
MODEL:	3750, 3875, 31000	
DATE:	AUG 1/03	SHEET 1 of 1
PART/ASSEMBLY NO:	080-21-10	



⊖# - DENOTES INDIVIDUAL PART
 ⊖# - DENOTES ASSEMBLY/SUB-ASSEMBLY

Ø1/4" HOSE
 LENGTH - 6 3/4" TIP TO CENTRE OF ELBOW
 1/4" MALE NPT - 1/4" FEMALE JIC 90° ENDS

TITLE: INTERNAL OIL OVERFLOW RESERVOIR ASSEMBLY (USED ON MACHINES WITH PG1802 GEARBOXES)



IMPORTANT

- PLEASE PROVIDE MACHINE SERIAL NUMBER TO ENSURE CORRECT PLACEMENT PARTS.

2	GREASE LINE	1	080-09-01
1	GREASE LINE PROTECTOR ASSEMBLY	1	080-41-02
NO.	PART DESC.	QTY	PART NO.

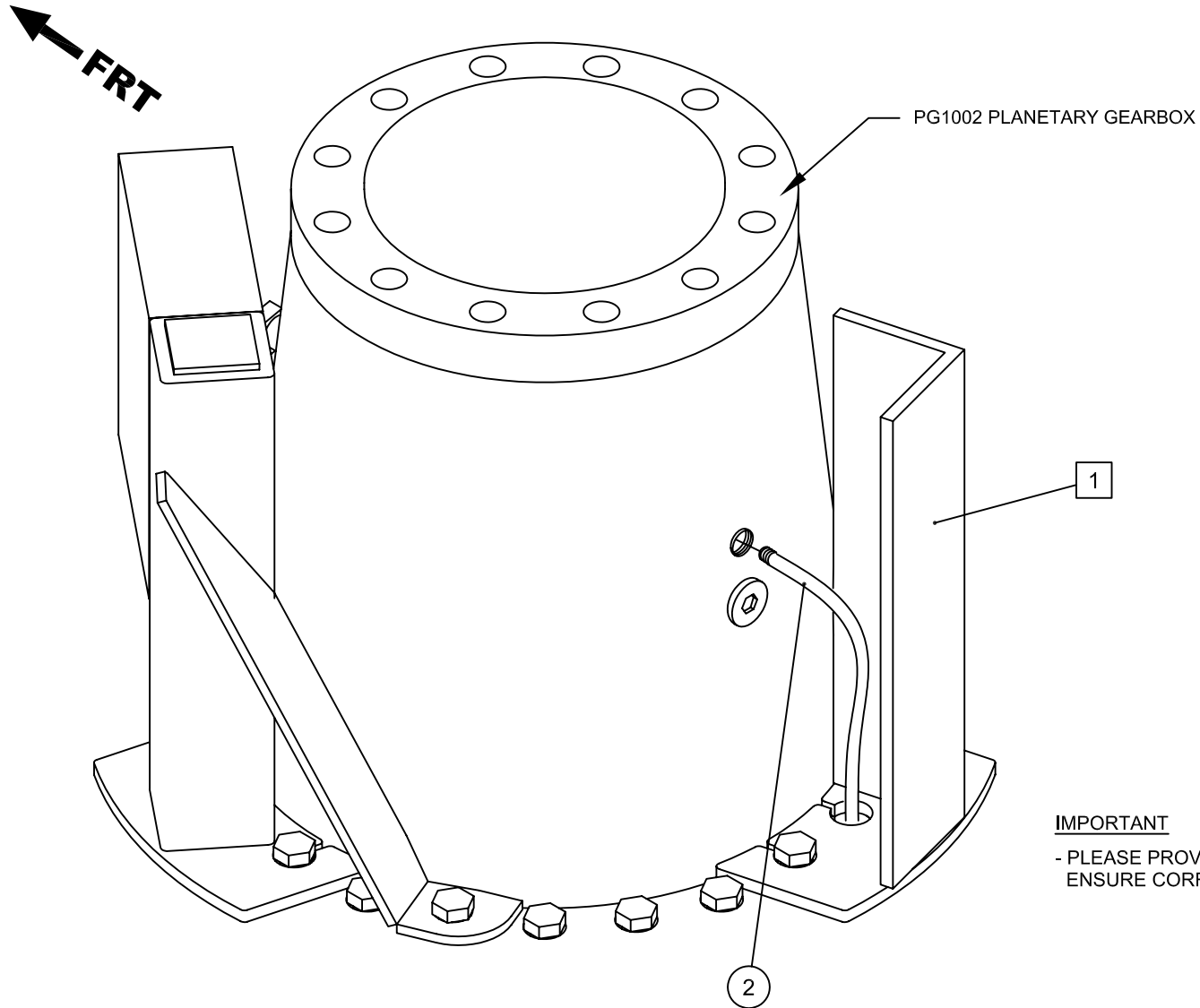
PARTS LIST

MODEL:	3425, 3575	
DATE:	AUG 1/03	SHEET 1 of 1
PART/ASSEMBLY NO:	080-41-00	



- ⊖# - DENOTES INDIVIDUAL PART
- ⊖# - DENOTES ASSEMBLY/SUB-ASSEMBLY

TITLE: INTERNAL GREASE LINE PROTECTOR ASSEMBLY (USED ON MACHINES WITH PG1602 GEARBOXES)



PG1002 PLANETARY GEARBOX

1

2

Ø1/8" HOSE
LENGTH -90"
1/8" MALE NPT BOTH ENDS

IMPORTANT

- PLEASE PROVIDE MACHINE SERIAL NUMBER TO ENSURE CORRECT PLACEMENT PARTS.

- ⊖ # - DENOTES INDIVIDUAL PART
- ⊖ # - DENOTES ASSEMBLY/SUB-ASSEMBLY

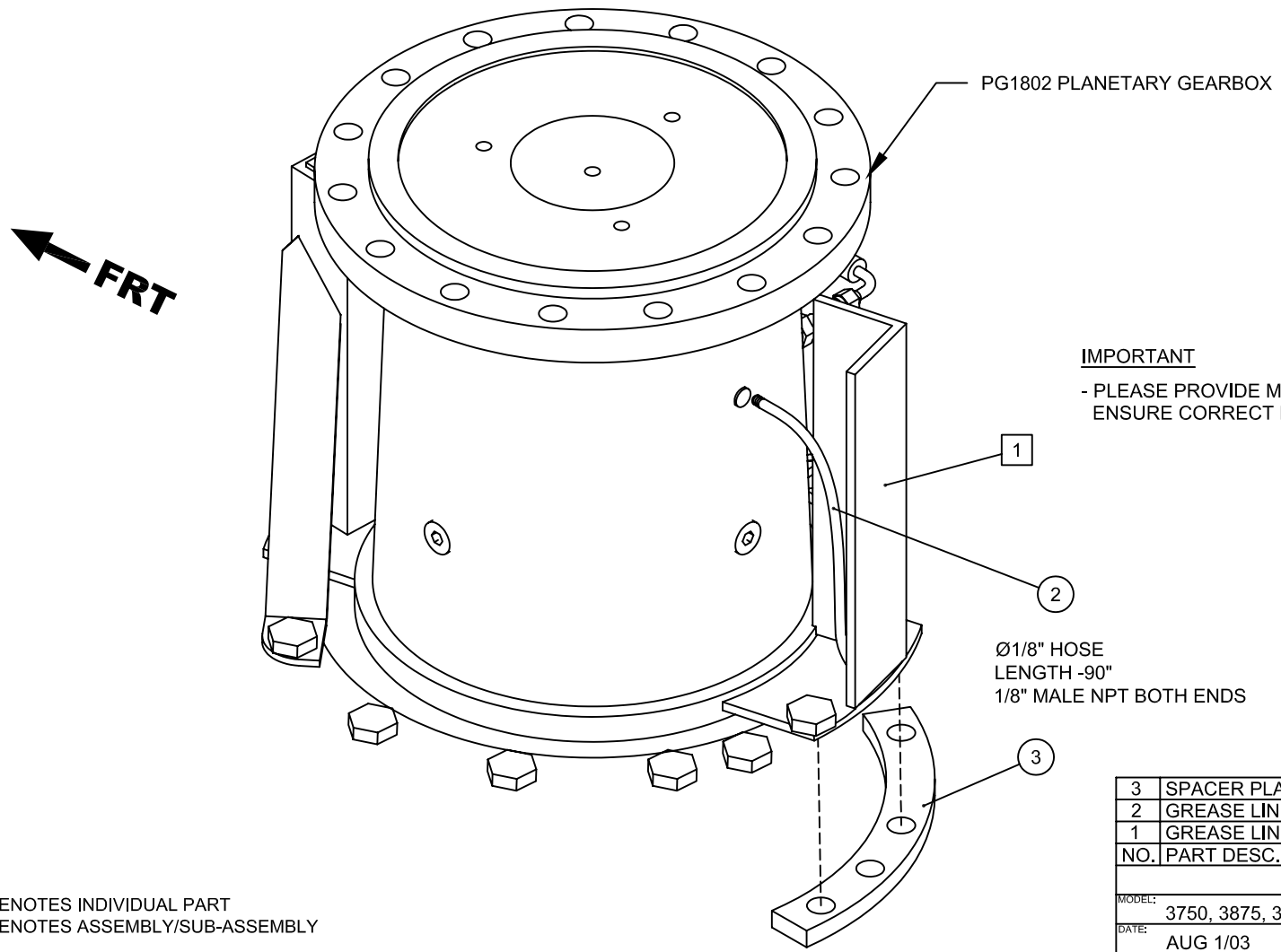
2	GREASE LINE	1	080-09-01
1	GREASE LINE PROTECTOR ASSEMBLY	1	080-41-03
NO.	PART DESC.	QTY	PART NO.

PARTS LIST

MODEL:	3300 / 3350 / 3650	
DATE:	AUG 1/03	SHEET 1 of 1
PART/ASSEMBLY NO.:	080-41-01	



TITLE: INTERNAL GREASE LINE PROTECTOR ASSEMBLY (USED ON MACHINES WITH PG1002 GEARBOXES)



PG1802 PLANETARY GEARBOX

FRT

IMPORTANT

- PLEASE PROVIDE MACHINE SERIAL NUMBER TO ENSURE CORRECT PLACEMENT PARTS.

Ø1/8" HOSE
LENGTH -90"
1/8" MALE NPT BOTH ENDS

3	SPACER PLATE	1	080-00-20
2	GREASE LINE	1	080-09-01
1	GREASE LINE PROTECTOR ASSEMBLY	1	080-41-02
NO.	PART DESC.	QTY	PART NO.

PARTS LIST

MODEL:	3750, 3875, 31000	
DATE:	AUG 1/03	SHEET 1 of 1
PART/ASSEMBLY NO:	080-41-10	



⊖# - DENOTES INDIVIDUAL PART
⊖# - DENOTES ASSEMBLY/SUB-ASSEMBLY

TITLE: INTERNAL GREASE LINE PROTECTOR ASSEMBLY (USED ON MACHINES WITH PG1802 GEARBOXES)